

ScanWorks

POWERFUL SCAN-TO-FILE SOFTWARE

ScanWorks accelerates the process of moving scan data to disk. Colortrac's high speed data transfer and **ScanWorks'** design eliminates the time-consuming prescan of other systems and a virtual thresholding interface in black and white mode optimises even the worst quality originals with just a single scan.

Single screen, single program interface

ScanWorks operates in one screen and in real-time. On-screen images are all safely stored on your computer's hard disk. All image editing occurs on the scan data as the user sees it on screen with the editing tools available in the ScanWorks interface – no need to reload into an editor and have two programs running.

Program philosophy

Central to ScanWorks design is an efficient single-pass process to save the user time and minimise document movement (and possible wear) through the scanner. This also minimises document skew caused by back and forth 'checking'. As soon as the document is fully visible on the screen (usually just seconds after scanning has finished) the data is stored on disk. If no further work is required such as cropping or rotation, the document can be saved, instantly, and the user is free to start the next scan.

Presets

All of your personal settings such as file locations, file formats, media handling selections and colour modes can be saved under one heading as a Preset. The Preset database allows you the option of adding useful names and descriptors to be to help identify the Preset for other users.

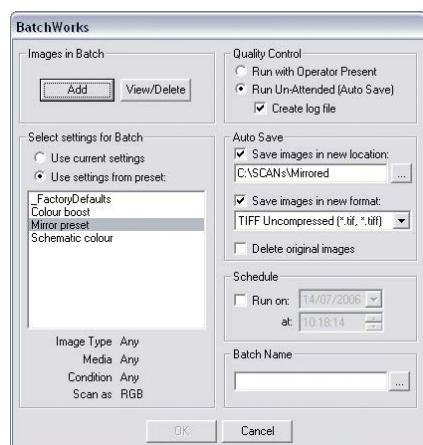
Batch scanning

ScanWorks allows 'non-stop' scanning in batch-scanning mode where the operator is prompted to insert the next document without using the mouse. If the current document then needs rotating or re-thresholding the user is free to use the editing controls. Saving the image is the cue for batch scanning to resume or the batch job can simply be cancelled.

Offline scan processing

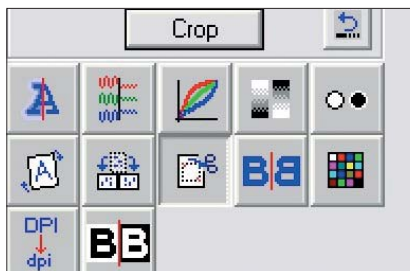
BatchWorks (part of ScanWorks) allows scans to be post-processed, useful if you need to change the scan format type from TIFF to JPEG for example. BatchWorks can also make more detailed alterations offline by directing it to use the settings stored in any scan Preset.

www.colortrac.com



Feature Summary

- Multi language support
- Intuitive easy to navigate interface
- icm profile embedding (TIFF)
- *start* and *stop* from the SmartLF scanner or F9 / F10
- Odometer style file naming system option
- Scan log file and Session log file audit information
- Print screen display or zoomed area to any Windows printer
- Image enhancements tools – sharpen, blur, de-noise, colour reduce
- Colour separation and palette generation



Tools

Use tools manually or set them for automatic activation during your scan. For example a user might need to rotate a batch of E size portrait originals a quarter-turn or invert a group of reversed drawings.

Virtual Black and White Thresholding

– UNIQUE IN THE CURRENT WIDE FORMAT COLOUR SCANNER MARKET!

Since its conception Colortrac ScanWorks has used real-time or 'virtual' thresholding to process traditionally difficult to scan blueprints or old and discoloured engineering drawings and prints. Instead of constantly monitoring a new setting by rescanning the document ScanWorks allows fully interactive adjustment from just ONE scan.

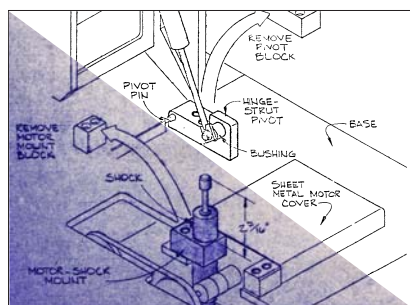
File Formats

ScanWorks utilises file formats in common use (see table) in the scanning industry today. Compressible formats like JPEG, JPEG2000 and PDF are all configurable for compression level to allow the user to trade off file size against scan image quality as required. ScanWorks will allow previously saved scan files to be re-opened and edited and saved to the same or new format (with the exception of pdf).

File formats supported:

full colour	256 (indexed colour)	greyscale	black & white
JPEG ¹	PNG ⁸	JPEG ¹¹	TIFF-G4 ¹⁴
JPEG2000 ²	TIFF ⁹	PDF ¹²	PDF ccit-G4 ¹⁵
PDF ³	TIFF packbits ¹⁰	TIFF ¹³	TIFF ¹⁶
PNG ⁴			
TIFF ⁵			
TIFF packbits ⁶			
TIFF(JPEG) ⁷			

1. Lossy 24-bit format with variable level of compression to control image quality versus file size reduction
2. Advanced JPEG with less distortion and lossless compression option
3. Conforms to the Adobe standard. Uses lossy JPEG compression as 1.
4. Lossless compressed indexed format in 24-bit format
5. Uncompressed 24-bit format
6. Compressed form of color TIFF (fixed compression)
7. Variable form of compressed TIFF using JPEG (as 1) inside a TIFF wrapper
8. Lossless compressed indexed format for 256 colour images
9. Uncompressed 8-bit format
10. Compressed 8-bit format
11. Lossy 24-bit grayscale format with variable compression
12. Conforms to the Adobe standard. Uses lossy JPEG compression of gray data (as 1.)
13. Uncompressed 8-bit gray format
14. Compressed lossless 1-bit format
15. Conforms to the Adobe standard. Uses lossless G4 compression inside a PDF wrapper (as 14.)
16. Uncompressed, lossless 1-bit bitonal/binary format



Colortrac Mini Movies

Colortrac has the widest range of video demos. See Colortrac SmartLF large format scanners and ScanWorks scanning software in operation on our web site. What you see is what you get!

Colortrac Ltd makes no warranty of any kind with respect to the information contained in this document and reserves the right to change specifications without notice. Colortrac and Smart LF[®] are trademarks of Colortrac Ltd. All other trademarks are the property of their respective owners. Copyright © 2009 Colortrac Ltd.

COLORTRAC LIMITED
COLORTRAC HQ AND FACTORY
3-5 Brunel Court
Burrell Road
St Ives, Cambs
PE27 3LW, UK
Tel: +44 1480 464618
Fax: +44 1480 464620

COLORTRAC INC
4431-A Brookfield Corporate Drive
Chantilly, Virginia 20151, USA
Tel: +1 703 717 5631
Fax: +1 703 717 5361

COLORTRAC LTD BEIJING
Room 4-B1B, Building No. 7, Section 3, Century City
HaiDian District, Beijing 100089, P.R. China
Tel: +86 1051 988928 Fax: +86 1051 988927

www.colortrac.com



Colortrac
Our Business is Your Image